

Thank you for using our company multimedia player!
To operate the unit correctly, please read the owner's manual
carefully before using the unit. Keep these instructions and
retain this booklet for future reference.

CONTENTS

Welcome! ----- 1

Notes on Installation ----- 2

Front panel ----- 3

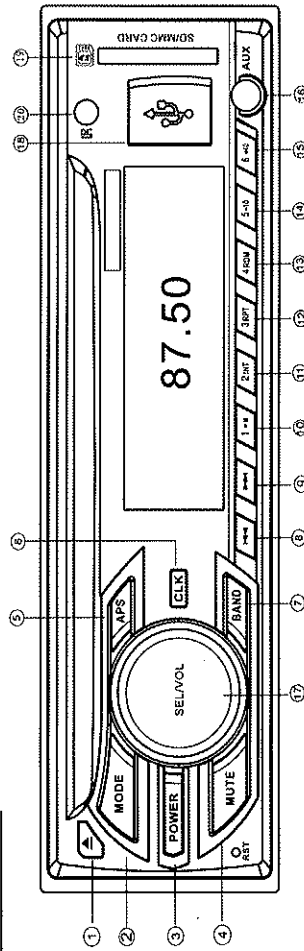
CD-MP3 operation ----- 4-5

Remote Control ----- 6

Connecting Wires to Terminals ----- 6

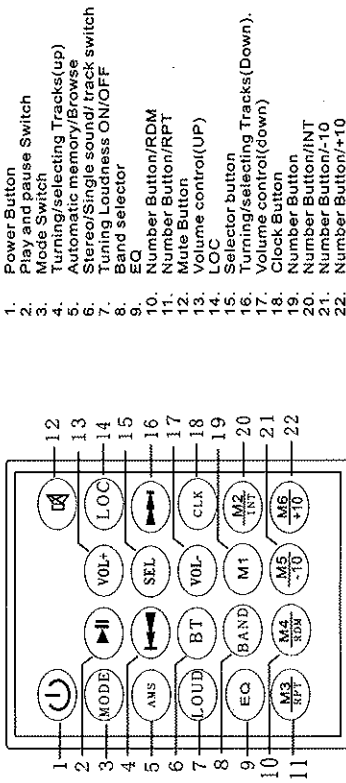
Simple troubleshooting guide ----- 7

front panel



- ① Eject Button
- ② MODE Button
- ③ Power Button
- ④ Mute Button
- ⑤ A. P.S Button
- ⑥ Clock Button
- ⑦ Band Button
- ⑧ PREV
- ⑨ NEXT
- ⑩ Play/pause
- ⑪ INT button
- ⑫ Repeat Button
- ⑬ Random Button
- ⑭ Number Button
- ⑮ AUX in
- ⑯ SEL / VOL button
- ⑰ USB Card port
- ⑱ SD Card port
- ⑳ Remote Control Receptor

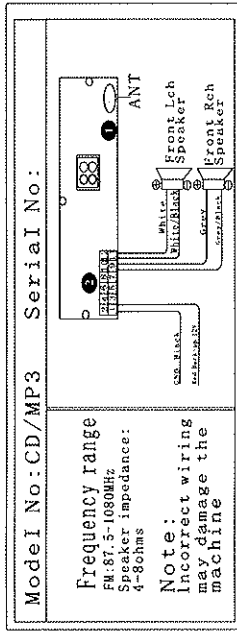
Operations of Remote Control



(optional)

Connecting Wires to Terminals

- ① Antenna Receptacle
- ② Output Socket(male)



- ① Eject Button press this button ▲ to eject the disc.
- ② MODE Button Press mode to Play radio or disc → RADIO • PLAY • AUX →
- ③ Power Button Press power button to switch power.
- ④ Mute Button Press the button to mute or unmute.
- ⑤ A.P.S Button Press this button to search each stored stations. When AMS mode is carried out, INT appears on display. You can press number button 1-6 or APS button to select stored stations. Press and hold APS button to store a station in any of the number from 1-6.
- ⑥ Clock Button Press the button and the current time will be displayed and returned to previous status in 5 seconds and hold the button until the Hour or Minute digital flash, then press VOL button adjust time. Press Clock button again to confirm your adjustment.
- ⑦ Band Button Press the button repeatedly to select bands in the following order.
 → Fa1 → Fa2 → Fa3 →
- ⑧ Automatic Tuning: Press (UP or DN) button continuously to search automatically.
- ⑨ Manual Tuning: Press and hold (UP or DN) button for more than 3 seconds, the radio automatically searches a station upward or downward respectively and plays when a station is received.
- ⑩ play/pause button Role play or pause function.